



# ***ESAB Cutmaster 100, ESAB Cutmaster 120***



## **Spare parts list**

<b>Ordering no.</b>	<b>Product</b>	<b>Notes</b>
0559 117 304	ESAB Cutmaster 100 6.1 m (20 ft) SL100 400V 3ph	Europe, CE
0559 117 314	ESAB Cutmaster 100 15.2 m (49 ft) SL100 400V 3ph	Europe, CE
0559 119 304	ESAB Cutmaster 120 6.1 m (20 ft) SL100 400V 3ph	Europe, CE
0559 119 314	ESAB Cutmaster 120 15.2 m (49 ft) SL100 400V 3ph	Europe, CE

Spare parts may be ordered through your nearest ESAB dealer, see [esab.com](http://esab.com). When ordering, please state product type, serial number, denominations and ordering numbers according to the spare parts list. This facilitates dispatch and ensures correct delivery.

Maintenance and repair work should be performed by an experienced person, and electrical work only by a trained electrician. Use only recommended spare parts.

Rights reserved to alter specifications without notice.

**SPARE PARTS** ..... **4**

**Cutmaster 100 and 120** ..... **4**

**Cutmaster 100 and 120** ..... **5**

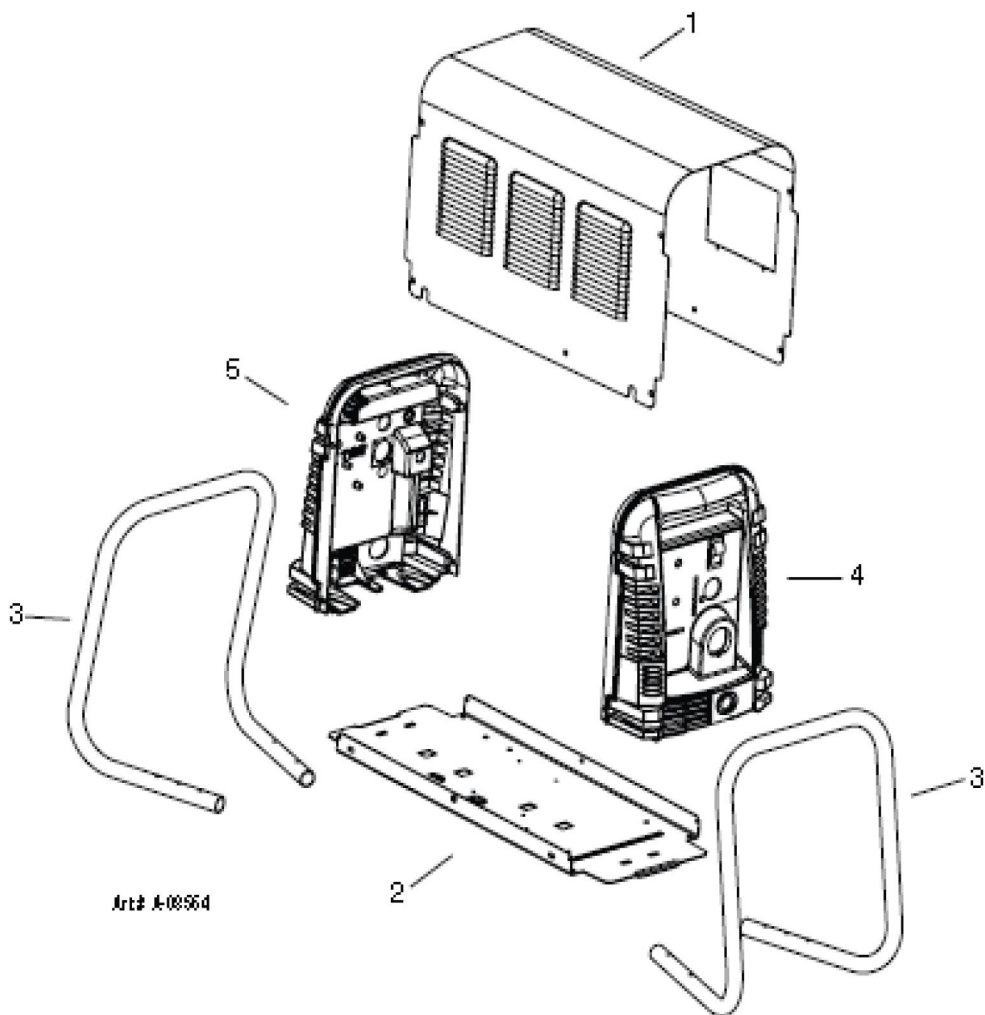
**Cutmaster 100 and 120** ..... **6**

**Cutmaster 100 and 120** ..... **7**

SPARE PARTS

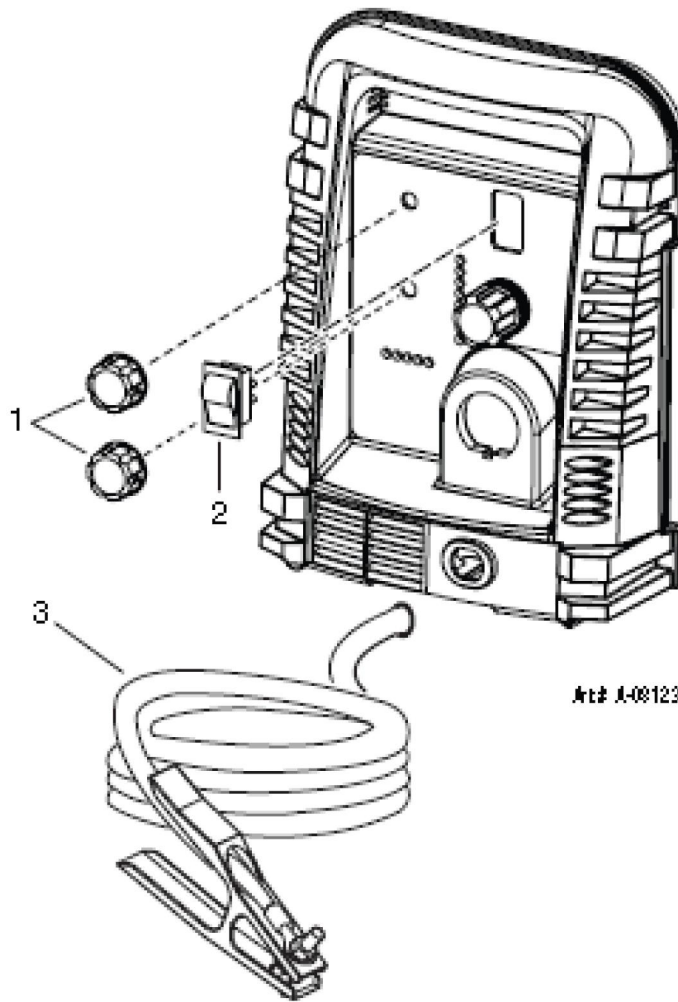
**Cutmaster 100 and 120**

Item	100	120	Ordering no.	Denomination	Notes	C
1	1		9-0258E	Cover with labels		
		1	9-0259E	Cover with labels		
2	1	1	9-0186	Base enclosure assembly		
3	2	2	9-0121	Tube, roll handle		
4	1		9-0229E	Front panel		
		1	9-0230E	Front panel		
5	1	1	9-0101	Rear panel		



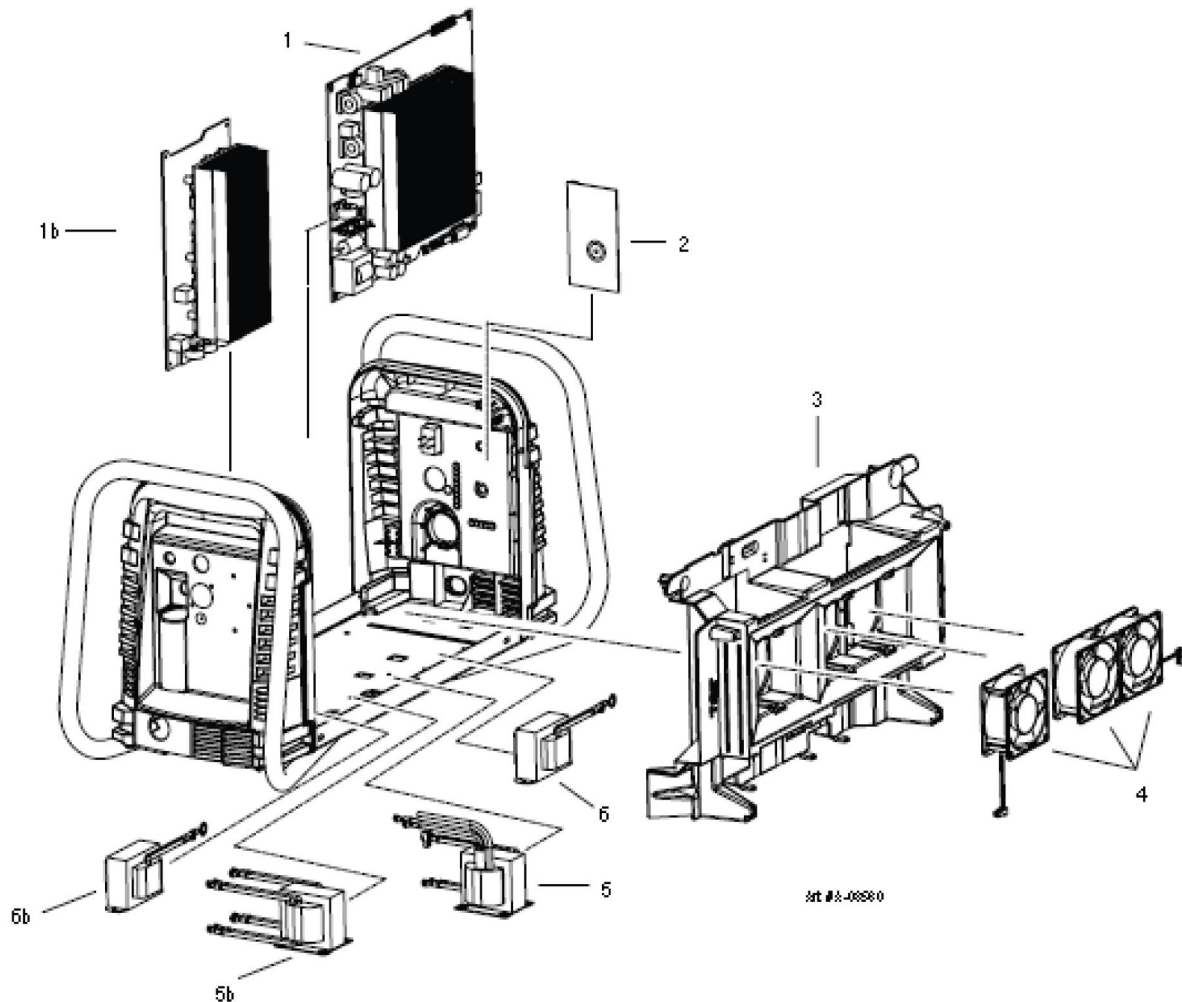
## Cutmaster 100 and 120

Item	100	120	Ordering no.	Denomination	Notes	C
1	2	2	9-8527	Output current control and function control knobs		
2	1	1	9-0109	Toggle – ON/OFF Switch		SW1
3	1	1	9-0189	Work cable with clamp	6.1 m (20ft)	



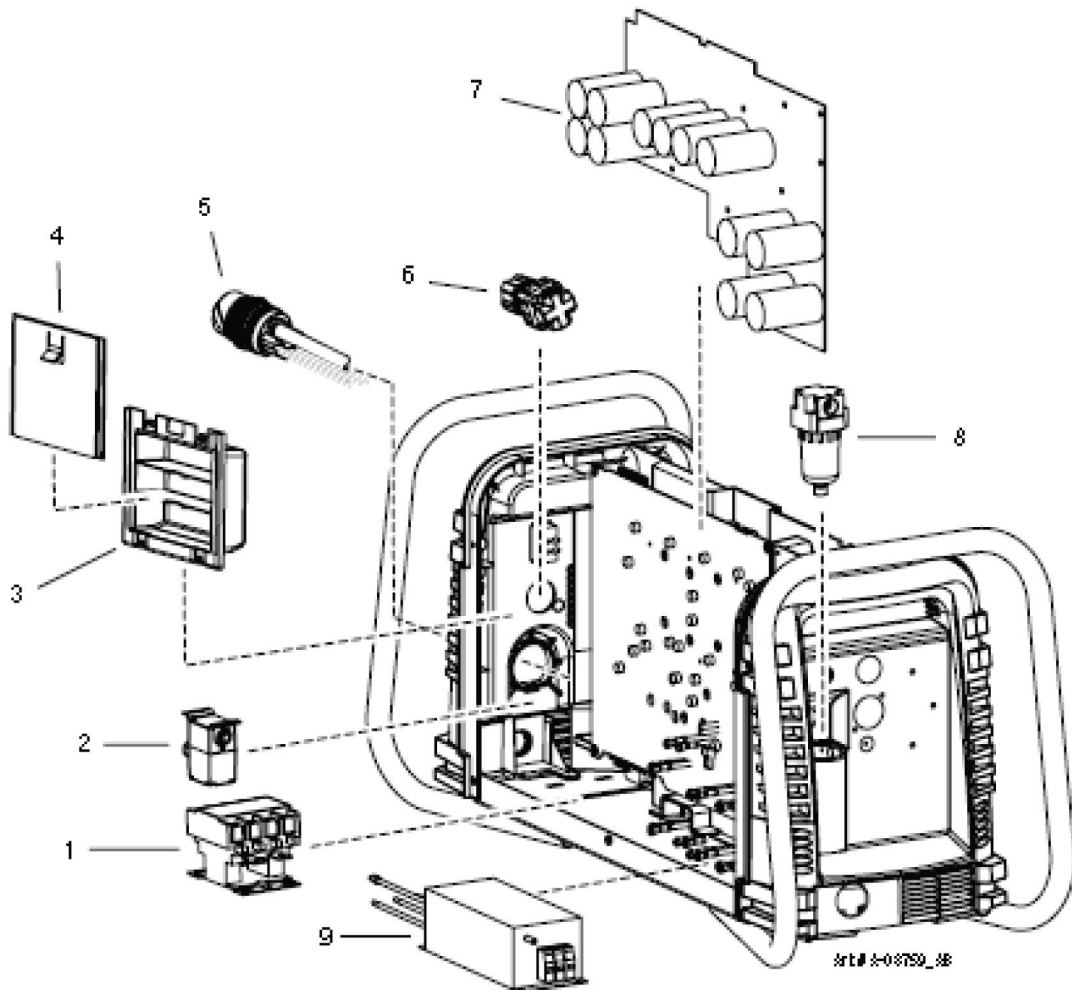
## Cutmaster 100 and 120

Item	100	120	Ordering no.	Denomination	Notes	C
1	1		9-0108	Main PCB assembly		PCB 1
		1	9-0123	Main PCB assembly		PCB 1
1b	1		9-0194	Main PCB assembly 40 Amp		PCB 5
		1	9-0122	Main PCB assembly 50 Amp		PCB 5
2	1	1	9-0113	Logic PCB		PCB 3
3	1	1	9-0190	Centre chassis molded plastic		
4	3	3	9-0232	Fan		MOT 1-3
5	1		9-0106	Transformer, main		T 1
		1	9-0119	Transformer, main		T 1
5b	1		9-0196	Transformer 60 Amp		T 2
		1	9-0117	Transformer 60 Amp		T 2
6	1	1	9-0105	Inductor, output		L 1
6b	1	1	9-0195	Inductor, output 50 Amp		L 2
	1	1	9-0249	Clamp-On Wire harness ferrite filter		



## Cutmaster 100 and 120

Item	100	120	Ordering no.	Denomination	Notes	C
1	1	1	9-8587	Contactora, 4 pol		W 1
2	1	1	9-0114	Solenoid	12V	SOL 1
3	1	1	7-3267	Spare part box		
4	1	1	7-3266	Spare part box cover		
5	1	1	9-0161	Console quick disconnect		
6	1	1	9-0115	Regulator with knob and mounting nut		
	1	1	9-0250	Pressure switch		
7	1		9-0481	Input capacitors PCB assembly		PCB 2
		1	9-0482	Input capacitors PCB assembly	400 V CE	PCB 2
8	1	1	9-0116	Filter auto drain		
9	1	1	9-0253	3 Phase Input line EMI filter		
	1	1	9-0111	Power cable strain relief		
	1	1	9-0216	Input power cable	380/400/415V	





# A WORLD OF PRODUCTS AND SOLUTIONS.



For contact information visit [esab.com](http://esab.com)

ESAB AB, Lindholmsallén 9, Box 8004, 402 77 Gothenburg, Sweden, Phone +46 (0) 31 50 90 00

<http://manuals.esab.com>

